



PRODUCT SPECIFICATION

DESCRIPTION

The P3DC15-4-3L CCTV Power Supply is designed with four (4) individual fused outputs for powering CCTV Cameras and other video accessories. It will provide 6-15VDC distributed via four (4) fused outputs with a total of up to 2.5 Amps continuous supply current.

FEATURES

- Listed (UL 2044)

Input:

- Input 24VAC 40VA or 24VAC 50VA, UL Listed Plug-in transformer. (NOT INCLUDED)

Output:

- 6 to 15 VDC field adjustable.



Transformer	Output current 5.5 to 12VDC	Output current 12 - 15VDC
24VAC, 40VA	2.25 Amps	1.8 Amps
24VAC, 50VA	2.5 Amps	2 Amps

Fuse Ratings:

- Output fuses are rated at 1.0 Amps

Visual Indicators:

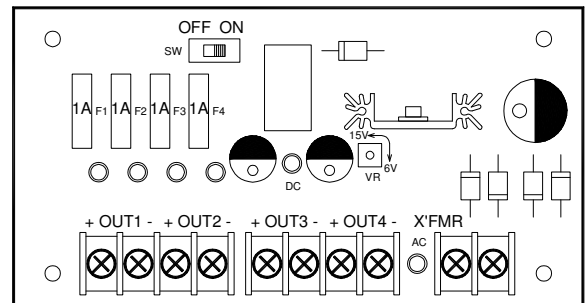
- AC input and DC output LED indicators.

Additional Features:

- Power ON/OFF switch.
- Spare fuses included.
- Unit maintains camera synchronization.
- Ease of installation saves time and eliminates costly labor.

Enclosure Dimensions:

115mm(H) x 220mm(W) x 250mm(D)



Adjustable DC output (power limit)

Transformer
24VAC, class 2 UL listed
plug-in transformer
60Hz, 1.67A/60Hz, 2.5A

INSTALLATION INSTRUCTIONS

1. Mount P3DC15-4-3L in desired location.
2. Connect 24VAC 40VA or 50VA UL listed, class 2, plug-in transformer to terminals marked [X`FMR].
3. Adjust output voltage using trim pot on the board prior to connecting CCTV devices.
4. Switch SW1 (Fig. 1) to OFF position.
5. Connect each DC CCTV cameras to terminal marked [+ OUT1 - to + OUT4 -] carefully observing correct polarity.
Note: It is important to measure output voltage before connecting devices. This helps avoid potential damage.
CAUTION: Determine the maximum operating voltage of the equipment being powered before adjusting the output voltage.
6. Switch SW1 (see image above) to ON position.
7. Green LED will illuminate when unit is powered.
8. Upon completion of wiring, secure enclosure door with catch.

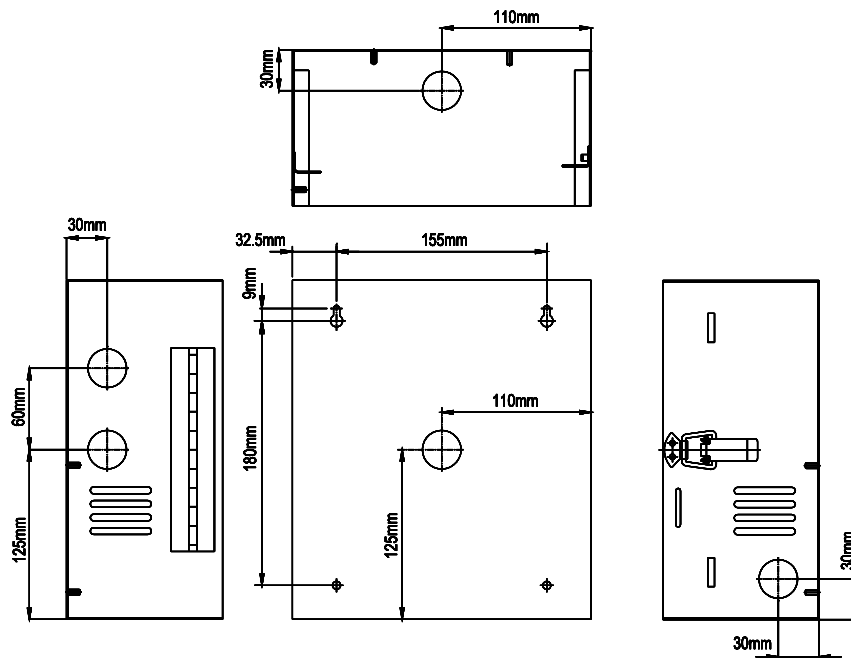
WARNINGS:

To reduce the risk of fire or electric shock. Do not expose this unit to rain or moisture. This installation should be made by qualified service personnel and should conform to all local codes and in accordance with the National Electrical Codes. For continuous protection against hazard, replace only with same type and rating of fuse.

Terminal Identification:

Terminal Legend	Function/Description
X`FMR	Low voltage AC input (24VAC 40VA or 50VA) from UL listed, class 2 plug-in transformers.
+ OUT1 --- through + OUT4 ---	Positive and Negative adjustable DC outputs. Up to (12VDC - 2.5 Amps total continuous output), 12-15VDC 2 Amps total continuous output.

Enclosure Dimensions:



Appendix list:

Item	Description	Dimension	Volume	Memo
1	Instruction sheet	A4	1	
2	Screw	#8-5/8	2	
3	Spare fuse	1 Amps	1	



Class 2 wiring only



CAUTION - Risk of fire replace fuse as marked

This symbol indicates that dangerous voltage constituting a risk of electric shock is present within this unit.

P3 is not responsible for any typographical errors. Product specifications are subject to change without notice



P31032-02/11

3139 MacArthur Blvd Northbrook IL 60062 Ph: 877-478-4733 Fax 847-205-1113 www.pthree.com